

# USER MANUAL



Thank you for choosing Better Bathrooms.  
Please read this manual before installing your product  
and keep for future reference.

**better  
bathrooms**

## LED BATHROOM MIRROR WITH SLIDING DOOR



**ELARASQMB600**  
**ELARASQBB600**

- TOUCH CONTROL
- DEMISTER
- IP44 INGRESS PROTECTION
- SLIDING DOOR
- WALL MOUNT OR RECESSED MOUNT ARE AVAILABL

# CONGRATULATIONS ON YOUR PURCHASE

Our aim at Better Bathrooms is to bring you extraordinary bathroom products, for less.

If you're after a modern, traditional, or a totally unique style bathroom, we have the fittings and fixtures to bring your ideas to life, so you can fall in love with your space every day.

We hope your new product goes above and beyond your expectations. However, should any problems occur, please:

- Log in to your account and contact our customer services team via your self-service portal – [betterbathrooms.com/CustomerAccount/Login](https://betterbathrooms.com/CustomerAccount/Login)
- Contact us via [betterbathrooms.com/contact/contact-us](https://betterbathrooms.com/contact/contact-us)

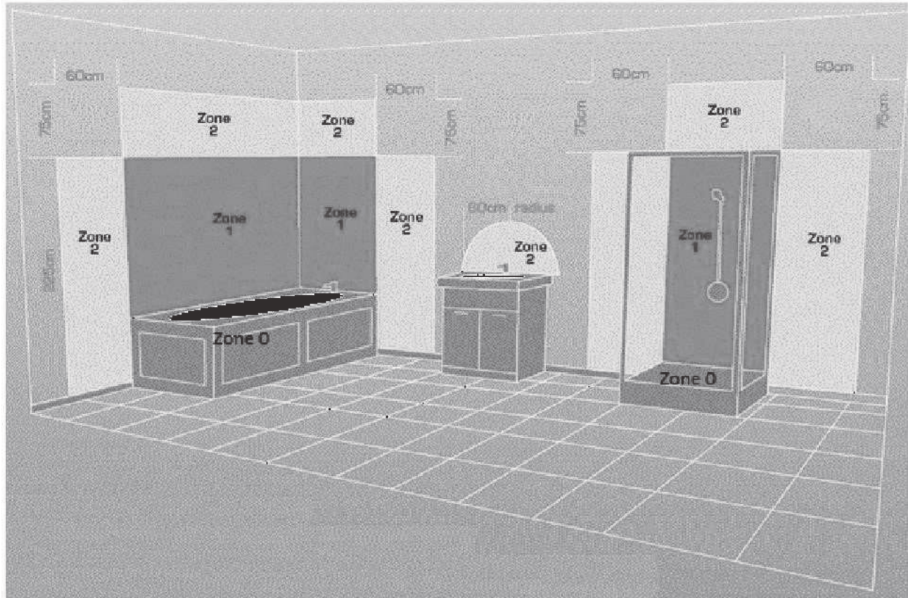
## CONTENTS

SAFETY	3
BATHROOM ZONES	4
PARTS SUPPLIED	5
TOOLS REQUIRED	5
INSTALLING THE MIRROR	6
OPERATION	12
TECHNICAL SPECIFICATIONS	13
PRODUCT DIMENSIONS	14

## SAFETY

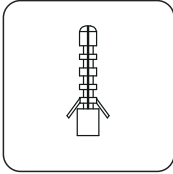
- This mirror should be installed by a qualified electrician.
- This fitting is only suitable for connection to a 220-240V earthed supply in accordance with current IEE wiring regulations, and should be installed in accordance with local Building Regulations.
- This is for domestic, indoor use only.
- The fitting should be connected to a dedicated lighting circuit which must be protected by a 5-amp fuse (or a 6-amp miniature circuit breaker).
- Before installing the fitting ensure the mains supply is switched off, and that the appropriate fuse is removed (or appropriate circuit breaker is switched off) before commencing installation. Ensure that measures are taken to prevent the supply from being inadvertently reconnected.
- If there is a “Minimum Distance” Label, please do not allow Flammable Materials to rest within that distance from the unit.
- This product may contain delicate parts – be careful during handling and maintenance to avoid breakage.
- If any modification is made to the fitting it will invalidate the warranty and may render the product unsafe.
- A defective appliance may cause electric shock. Never switch on a defective or damaged appliance. Disconnect the appliance from the mains before seeking assistance.
- This product is IP44 rated, and no part of the installation is allowed to be within bathroom Zones 0 or 1. Installation is permitted within Zone 2.
- This product must be earthed. Before commencing installation, ensure that there are no pipes or wires located behind the wall that may be damaged during drilling.
- Ensure that the hanging location has been decided upon and marked clearly to avoid unwanted damage in the wall due to incorrect positioning.
- Check that the mirror is not damaged prior to installation.
- Take care unpacking, do not use a sharp blade to open as this may damage the mirror and void your warranty.
- Installation must only be carried out by a qualified professional or electrician.
- Once installed, silicon can be applied between the cabinet and the wall around the unit. Don't seal the bottom of the cabinet, as this may allow for water to accumulate behind the cabinet.

# BATHROOM ZONES

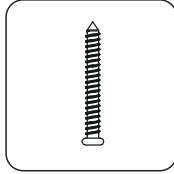


<b>Zone 0:</b>	The interior of the bathtub or shower basin.
<b>Zone 1:</b>	The area around the bathtub or shower basin up to a height of 2.25m above the floor
<b>Zone 2:</b>	The area stretching to 0.6m outside the bath or shower and above the bath or shower if over 2.25m

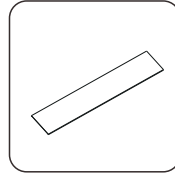
## PARTS SUPPLIED



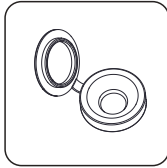
WALL PLUGS (X5)  
5mm



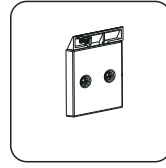
SCREWS M5 (X5)  
50 mm



SIDE PANELS (X2)



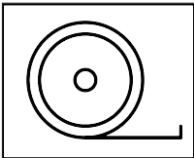
SCREW CAP FOR SECURITY HOLE (X1)



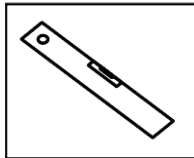
HANGING BRACKET (X2)

**PLEASE NOTE:** It is the installers responsibility to ensure that the fittings are suitable for the type of wall. Alternative fittings may be required (Not Supplied). If unsure professional advice should be sought.

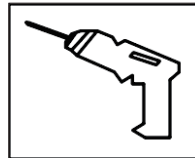
## TOOLS REQUIRED



TAPE MEASURE



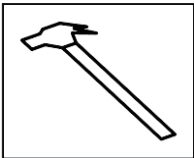
SPIRIT LEVEL



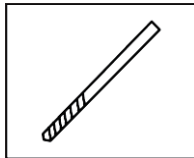
ELECTRIC DRILL



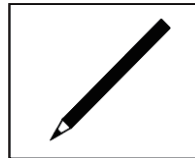
SCREWDRIVER



HAMMER



8mm DRILL BIT



PENCIL

# INSTALLATION

**IMPORTANT:** Before commencing installation, ensure that there are no pipes or wires located behind the wall that you will be drilling into. The depth of the holes needed for hanging are approximately 50mm.

Please ensure that enough space is left for the sliding door to open after installation. Product dimensions can be found on page 15.

- Ensure that the hanging location has been decided upon and marked clearly to avoid unwanted damage in the wall due to incorrect positioning.
- Check there the mirror is not damaged prior to installation.
- Take care unpacking, do not use a sharp blade to open as this may damage the mirror and void your warranty.

**Please note:** The maximum safe loading weight for the unit is 10.5kg.

**Please note:** The maximum safe loading weight for each shelf is 3.5kg.

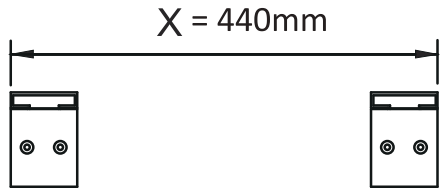
## WALL MOUNT INSTALLATION

The cabinet is supplied with a set of hanging brackets to mount the cabinet onto the wall. At the back of the cabinet there is a hanging bar which is designed to slot onto the hanging brackets.

- 1 Choose the desired position of the cabinet, and from that determine the required position of the hanging brackets.

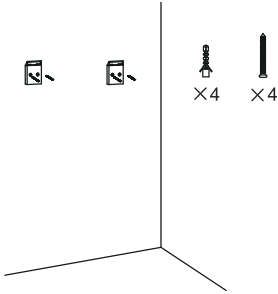
Please note: The hanging brackets must be sat on the left side of the cabinet cable.

- 2 Use a pencil to mark the position of the 4 holes on the wall.



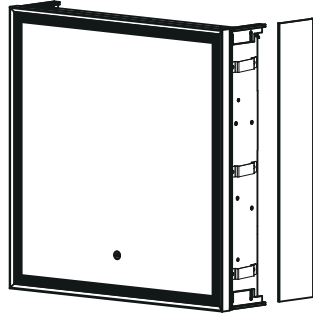
- 3 Hold the hanging brackets in position, using a spirit level to ensure they are level.
- 4 Place the hanging brackets to one side and drill the holes with a suitable drill bit.
- 5 Insert wall plugs into the holes, ensuring they are flush to the wall.
- 6 Place the hanging brackets onto the wall, lining up the 4 holes with the wall plugs

7

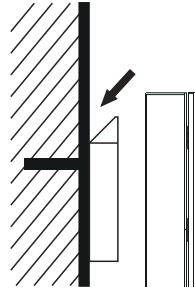


Secure the hanging brackets to the wall using the supplied screws.

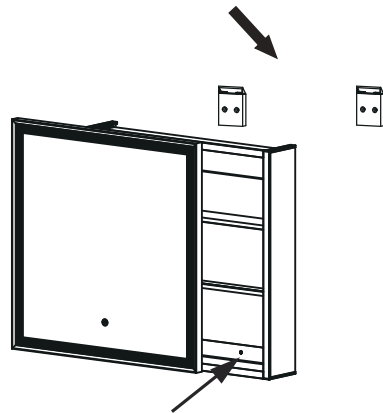
- 8 Install the side panels by sliding them into the fittings before installation the cabinet on the hanging brackets.



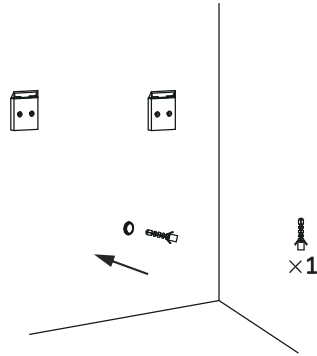
- 9 You will now be able to hang the cabinet.  
Carefully lower the cabinet onto the hanging brackets, ensuring that it is secure and will not slide.



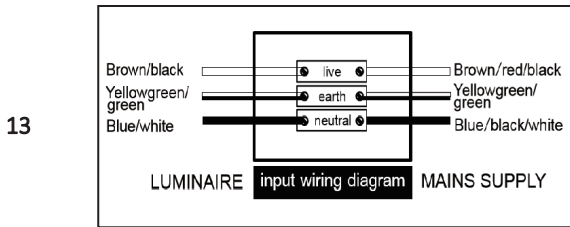
- 10 Open the cabinet door and mark the wall with a pencil through the security hole on the back panel.



- 11 Remove the cabinet, drill the hole then place a wall plug into the hole you have just drilled.

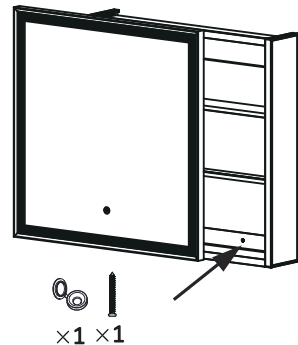


- 12 Hang your cabinet back up onto the hanging brackets and ensure that the cabinet is lined up with the wall plug.



The cabinet should now be connected to a suitable fused spur following current regulations and guidance. We would advise this to be situated directly behind the cabinet below the hanging brackets. When connecting ensure that enough cable is left to allow the cabinet to be safely removed from the hanging brackets.

- 14 Secure the cabinet to the wall using a screw and screw cap through the security hole and into the wall plug you previously installed.

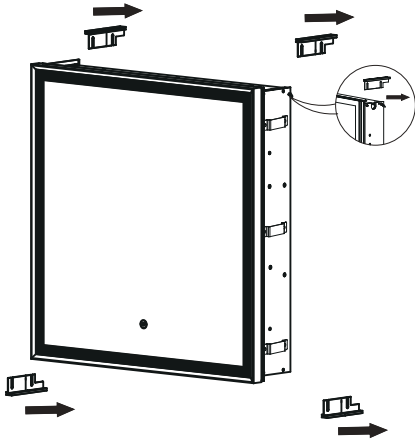




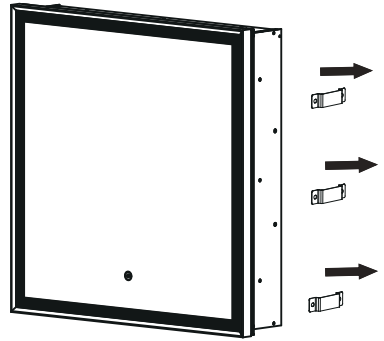
# RECESSED MOUNT INSTALLATION

1 Positioning and Installation of Mirror Cabinet.

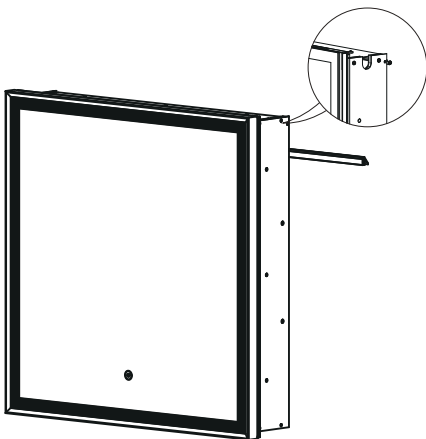
2 Unscrew the screws at the four corners of the cabinet to remove the fittings.



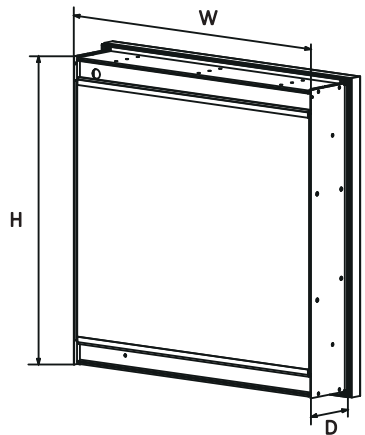
3 Tighten the screws at the four corners of the cabinet and remove the metal supporters in the two side panels (X6)



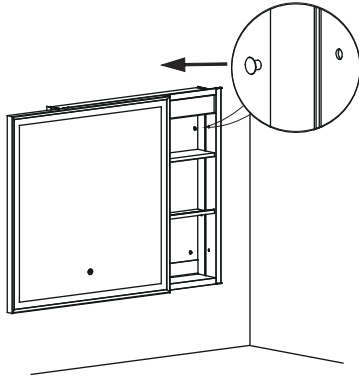
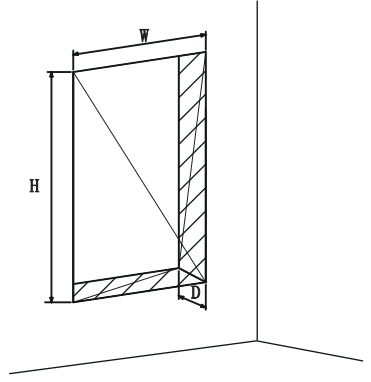
4 Unscrew the screws of the hanging bar and remove



5 Measure the dimensions of the cabinet

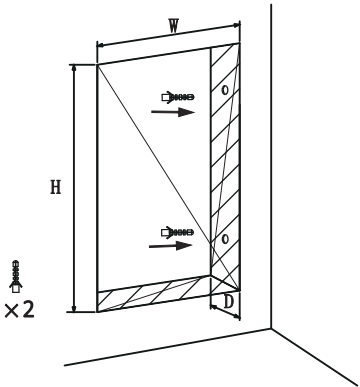
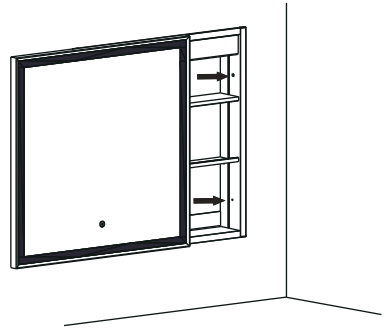


- 6 According to the measured cabinet size, cut corresponding hole in the wall



- 7 Place the cabinet into the wall hole, then open the door, remove the hole caps (X4) from the two side panels

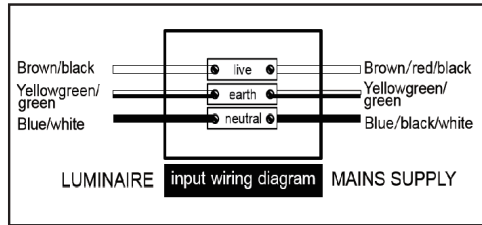
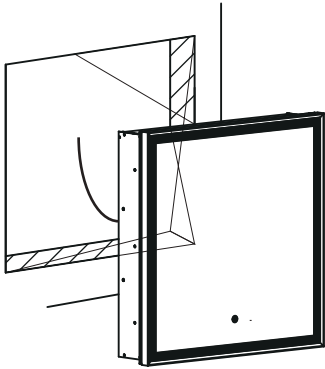
- 8 Mark the wall with a pencil through the fixing holes on the two side panels



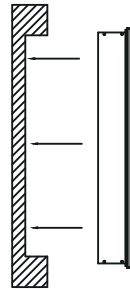
- 9 Place the cabinet to one side and drill the holes (X4) with a suitable drill bit.

- 10 Insert wall plugs into the holes, ensuring they are flush to the wall.

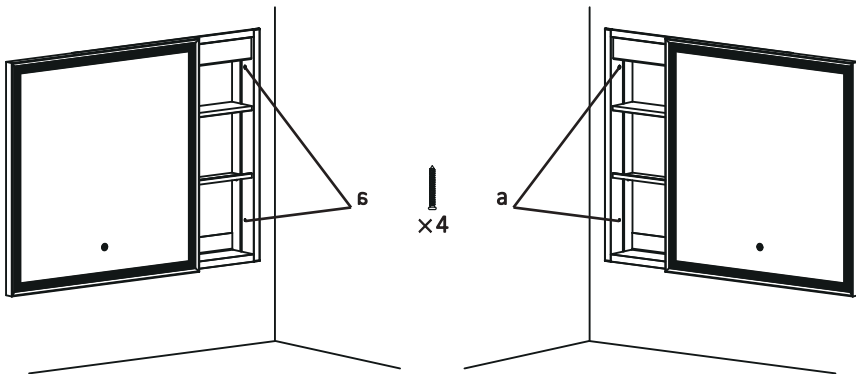
- 11 The cabinet should now be connected to a suitable fused spur following current regulations and guidance. We would advise this to be situated directly behind the cabinet below the hanging bar. When connecting ensure that enough cable is left to allow the cabinet to be safely removed from the hanging bar



- 12 Put the cabinet into the wall



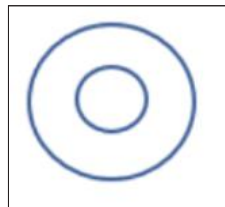
- 13 Open the door, then secure the cabinet into the wall using screws through the hole in two sides and into the wall plugs you previously installed.



## **OPERATION**

Your mirror has a touch switch towards the base of the mirror. Tap it once to turn on the lights and the demister. Tap again to turn off the lights and demister.

Hold down the button to change the lights from warm white to cool white and back again.



## **CLEANING AND MAINTENANCE**

Never use products containing bleach or abrasive cleaners, as this will have a detrimental effect on the appearance and lifespan of the product.

Use a clean microfibre cloth to clean the mirror.

## TECHNICAL SPECIFICATION

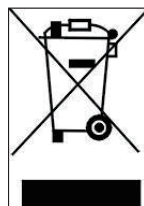
Model	<b>ELARASQMB600 ELARASQBB600</b>
WxHxD (mm)	<b>600*600*140</b>
Net Weight (Kg)	<b>15.5</b>
Power Cord length (cm)	<b>77</b>
Rated Power (W)	<b>26W</b>
IP Rating	<b>IP 44</b>
Input	<b>220 V~240 V 50 Hz</b>

This product contains a light source of energy efficiency class F.

## DISPOSAL

Recycling facilities are now available for all customers at which you can deposit your old electrical products. Customers will be able to take any old electrical equipment to participating sites run by their local councils.

Please remember that this equipment will be further handled during the recycling process, so please be considerate when depositing your equipment. Please contact the local council for details of your local household waste recycling centers.



At the time of printing the product contains no substances listed within Annex XIV of the Reach Regulations (EC) 1907/2006. In accordance with Article 59 of the same regulation the following substances are contained within the product at permitted levels: Cadmium.

As a responsible manufacturer the regulations are monitored to ensure continued compliance. Further information can be provided upon request.

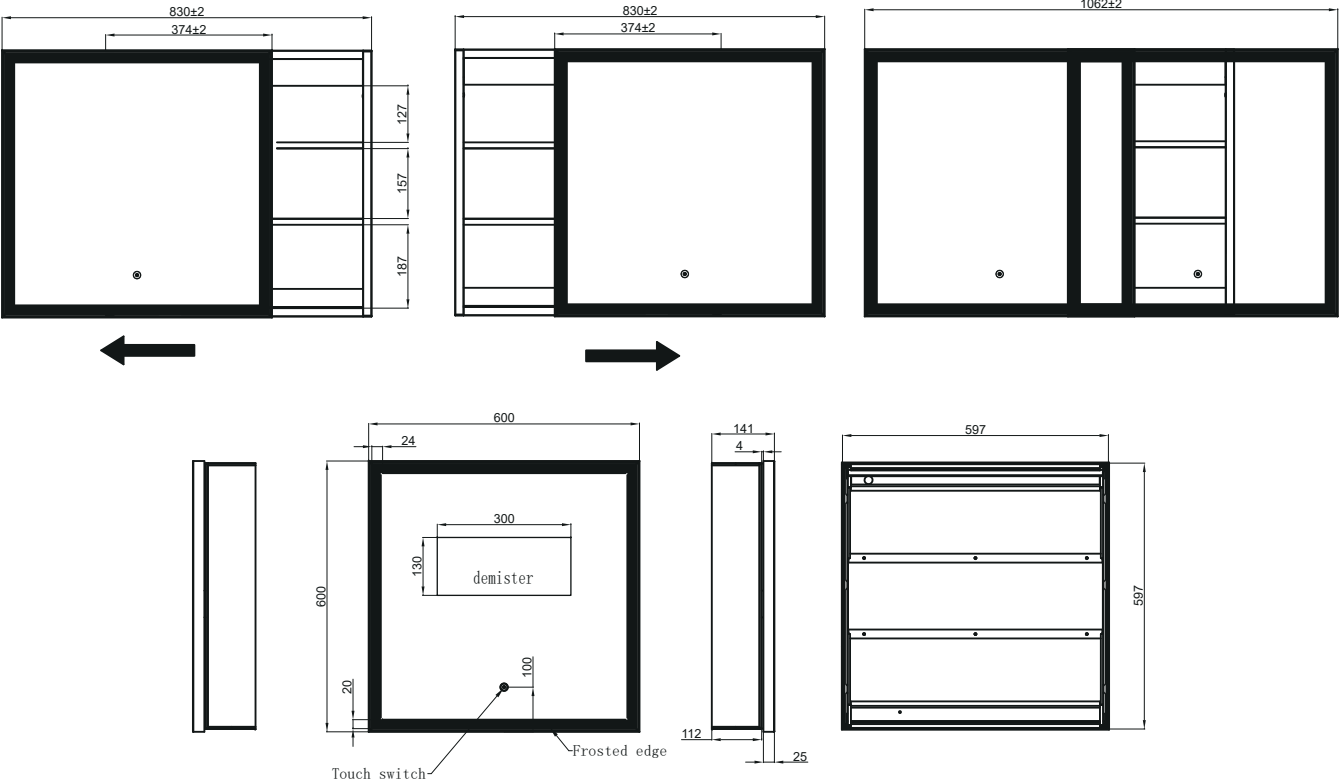
### **For more information**

- visit [betterbathrooms.com](http://betterbathrooms.com)
- email [customerservices@buyitdirect.co.uk](mailto:customerservices@buyitdirect.co.uk)
- call 0330 390 3062
- write to Trident Business Park, Neptune Way, Huddersfield, HD2 1UA

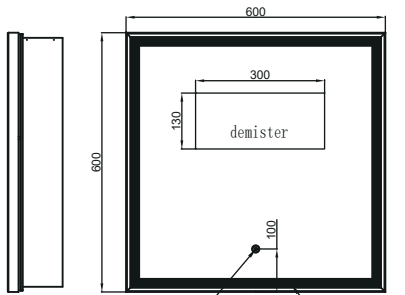
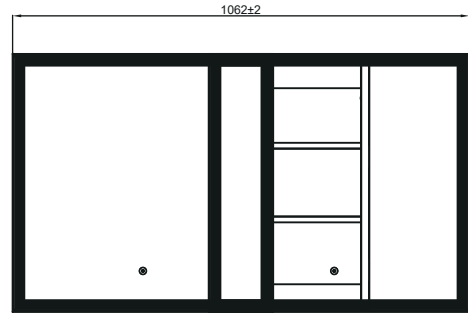
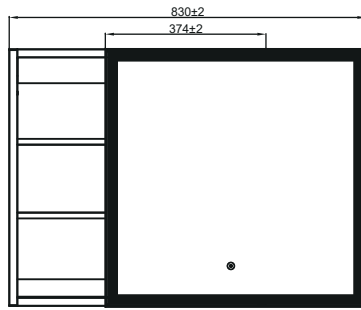
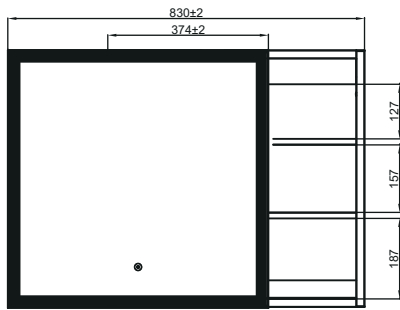
**better  
bathrooms** 

Part of the BuyItDirect Group

WALL MOUNT



# RECESSED MOUNT



Touch switch  
Frosted edge

